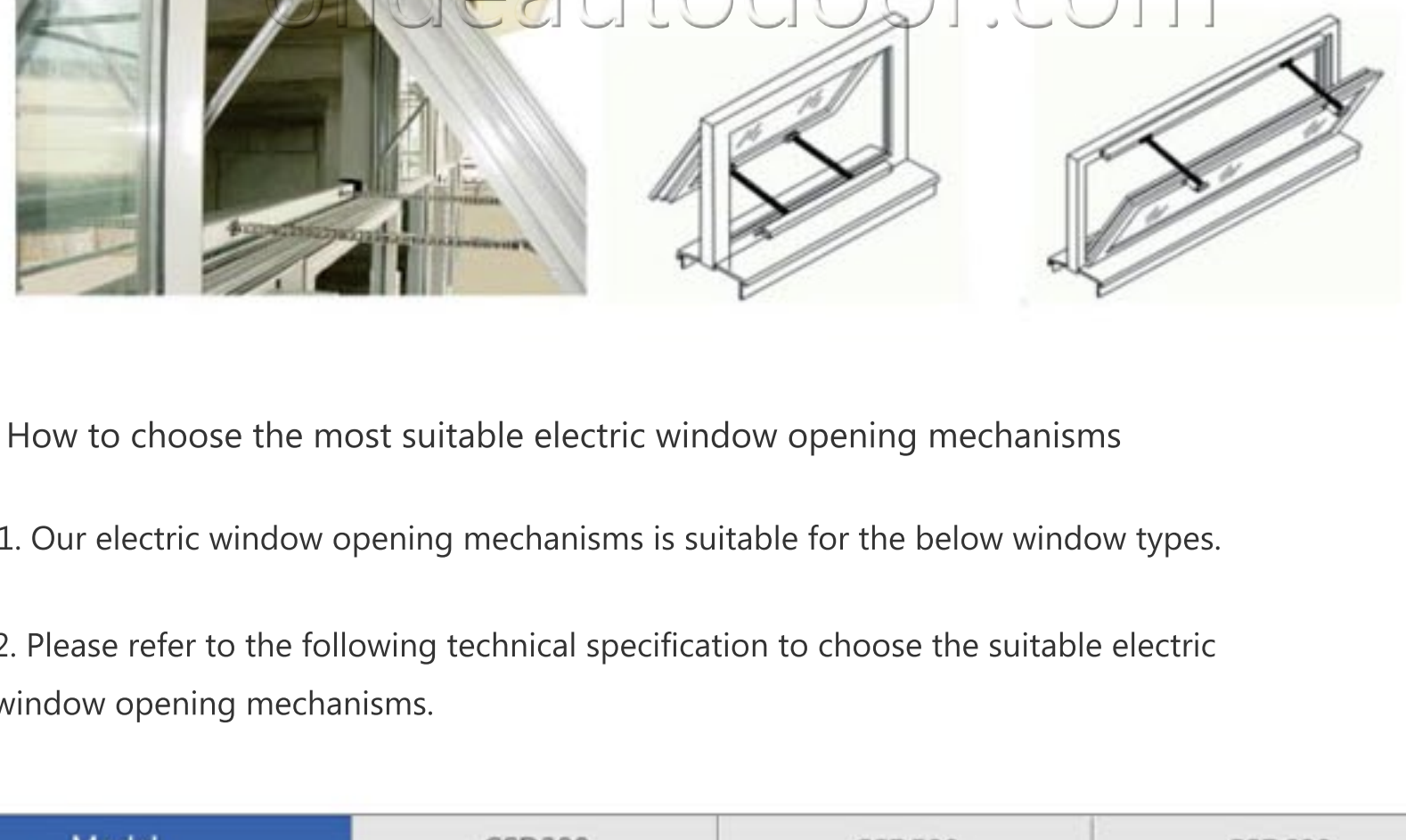


AUTOMATIC WINDOW OPENER

One complete set window opener include the accessory:window opener housing, chain, motor, bracket, screws, the details included in the following picture.



HOW TO CHOOSE THE MOST SUITABLE WINDOW OPENER

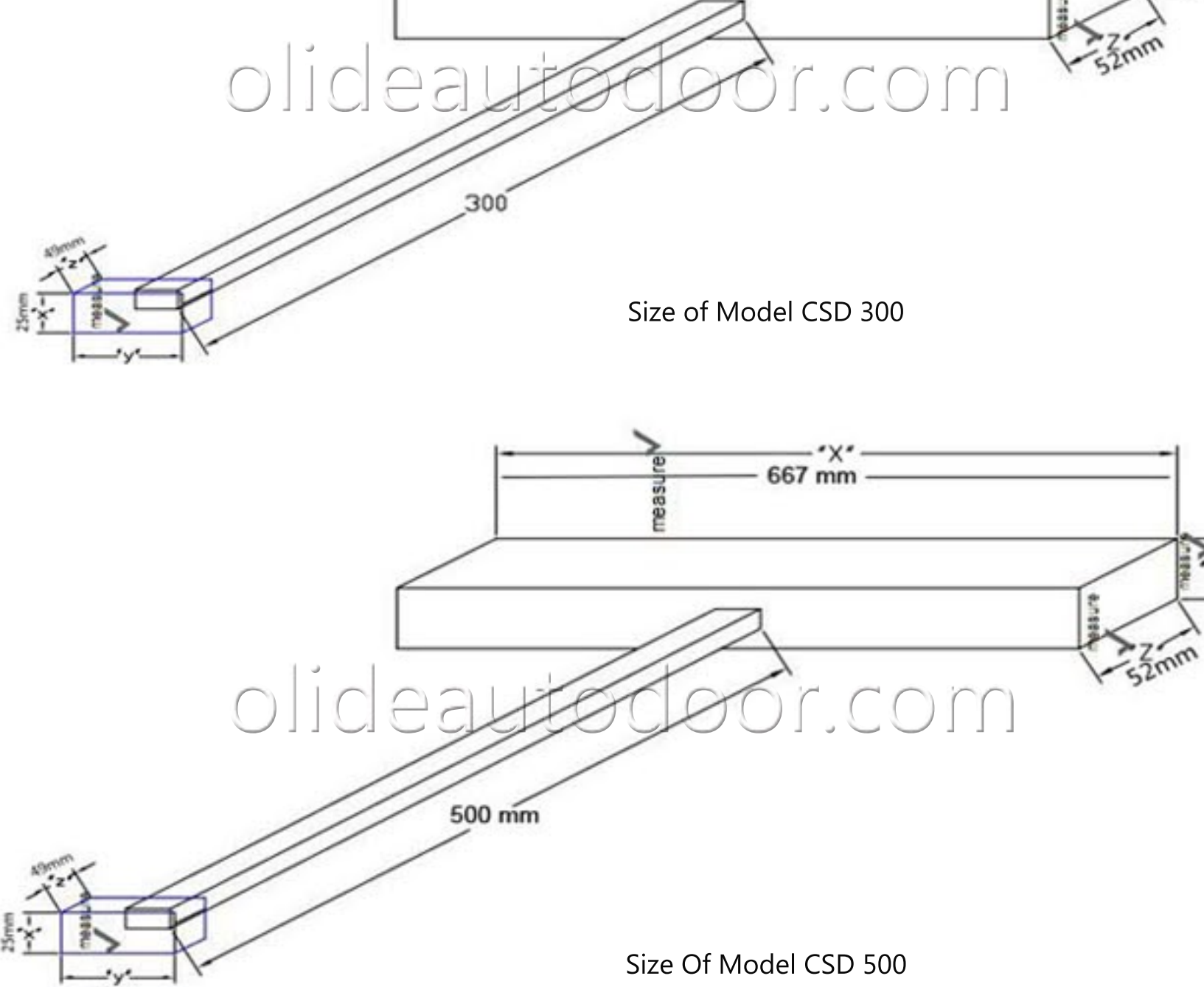


How to choose the most suitable electric window opening mechanisms

1. Our electric window opening mechanisms is suitable for the below window types.
2. Please refer to the following technical specification to choose the suitable electric window opening mechanisms.

Model	CSD300	CSD500	CSD600
The push and pull force	400N	600N	800N
Max load bearing	40kg	60kg	80kg
Travel distance	300mm	500mm	300mm/ 500mm
Speed	8mm / S	7mm / S	7mm / S
Size	455(L)X52(W)X40(H)mm	667(L)X52(W)X40(H)mm	574(L)X35(W)X20(H)mm
Operating power	24V DC		
Degree of protection	42 IP		
Operating ambient Temp.	-10° - +70°		
Material	Housing is made of aluminum alloy, also stainless steel can be customized, chain is made of stainless steel.		

SIZE OF WINDOW OPENER CSD300 AND CSD500



PRODUCT FEATURES

- a.High qualit two-layer stainless steel chain,which make the chain stronger anti-oxidate.
- b.The short pitch chain 08B-2 can ensure the low noise and stable operation of the window opener



- c.The motor built-in the overload protection system,when the electric current is beyond the scope of rated voltage,the motor will trip itself.It can avoid the motor burning out as the high electric current.



- d. The surface of the opener housing has electrophoretic precrossed,it is the best way to acid-resistant,alkali-resistant,magma-resistant of buildings.Even the window opener in the harshest environment,it can keep 50 years no fading,no aging.

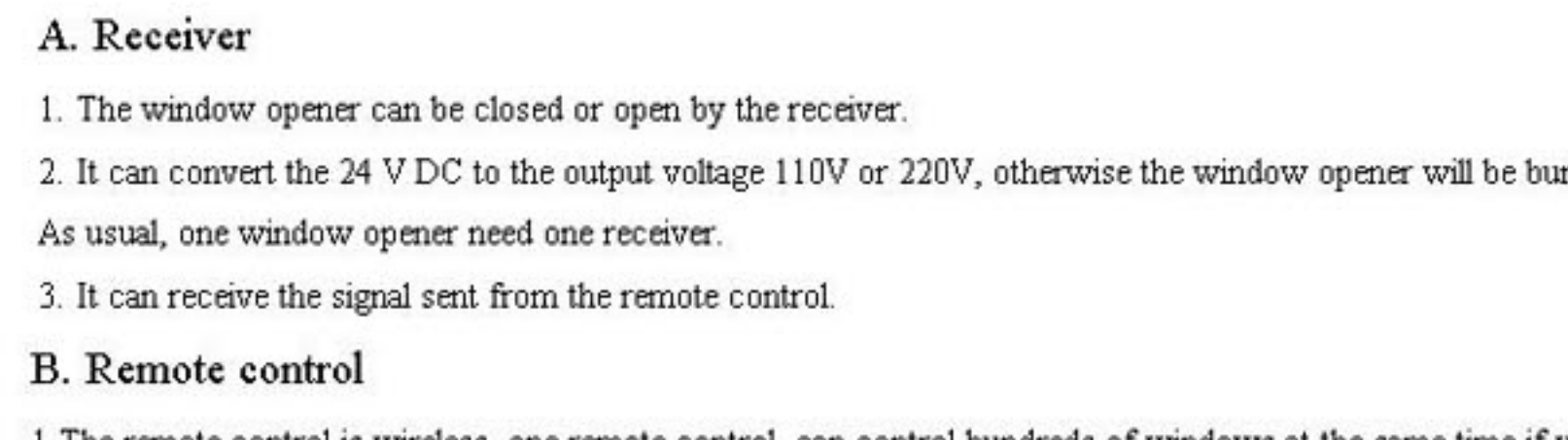


Environment Test
Putting the products under the environment -10°C to 70 °C to ensure the stable performance even if on the high slow temp. environment.

- E. Centralized controller for fire,Vent centralized controller,Central controller for wind&rain.Remote centralized controller for window open&close in the whole building can all be customized.Just open press,the whole building windows are controlled.



OPTIONAL ACCESSORY



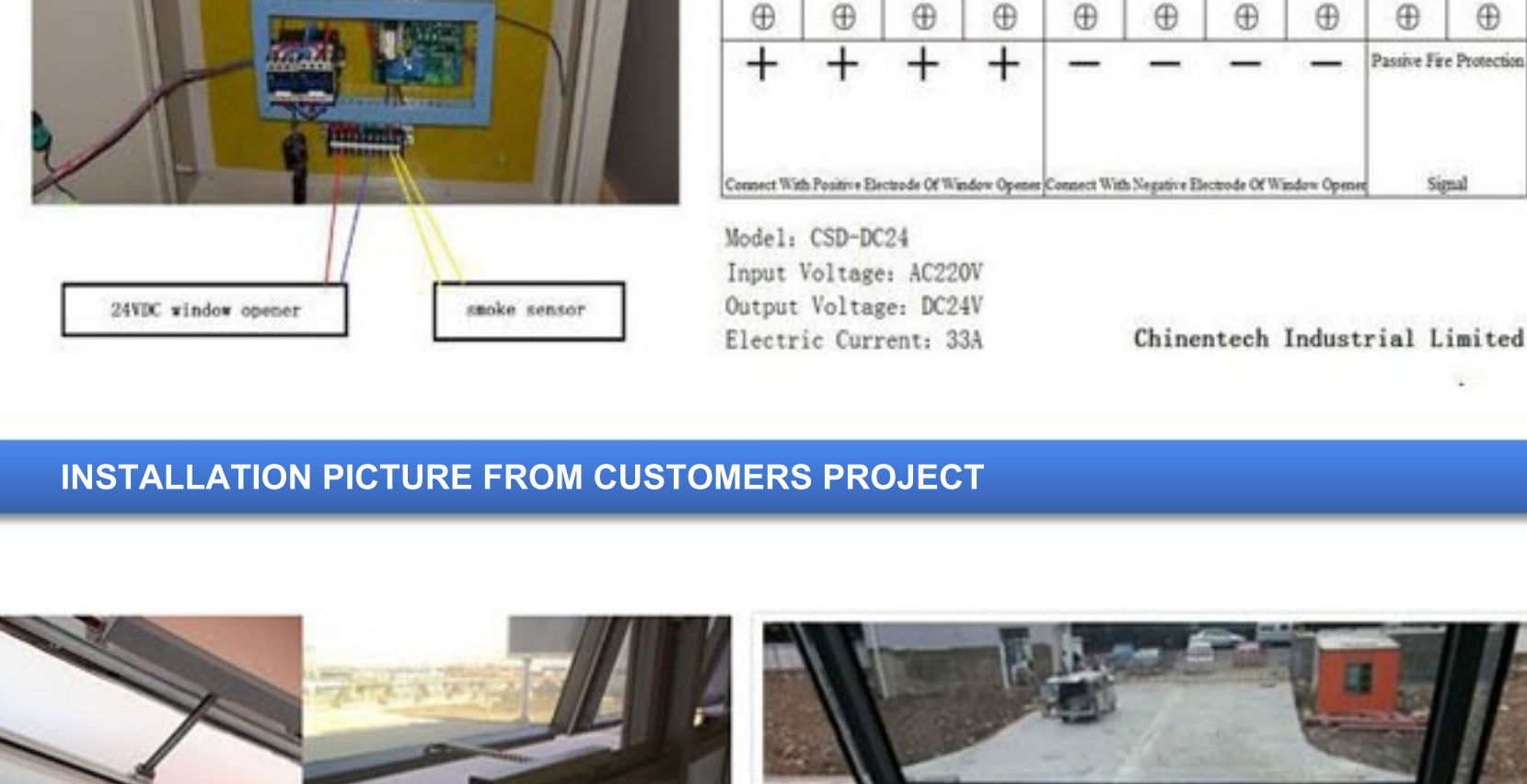
- A. Receiver**
 1. The window opener can be closed or open by the receiver.
 2. It can convert the 24 V DC to the output voltage 110V or 220V, otherwise the window opener will be burnt. As usual, one window opener need one receiver.
 3. It can receive the signal sent from the remote control.
- B. Remote control**
 1. The remote control is wireless, one remote control can control hundreds of windows at the same time if you want them open and close at the same time.
 2. Just one press, the window will open or close automatically,it make the house smarter.
- C. The smoke, wind and rain detecting system.**

The window opener can be equipped with the optional accessory smoke, wind and rain detecting system. When detect the smoke, wind or rain, the window would closed by itself.

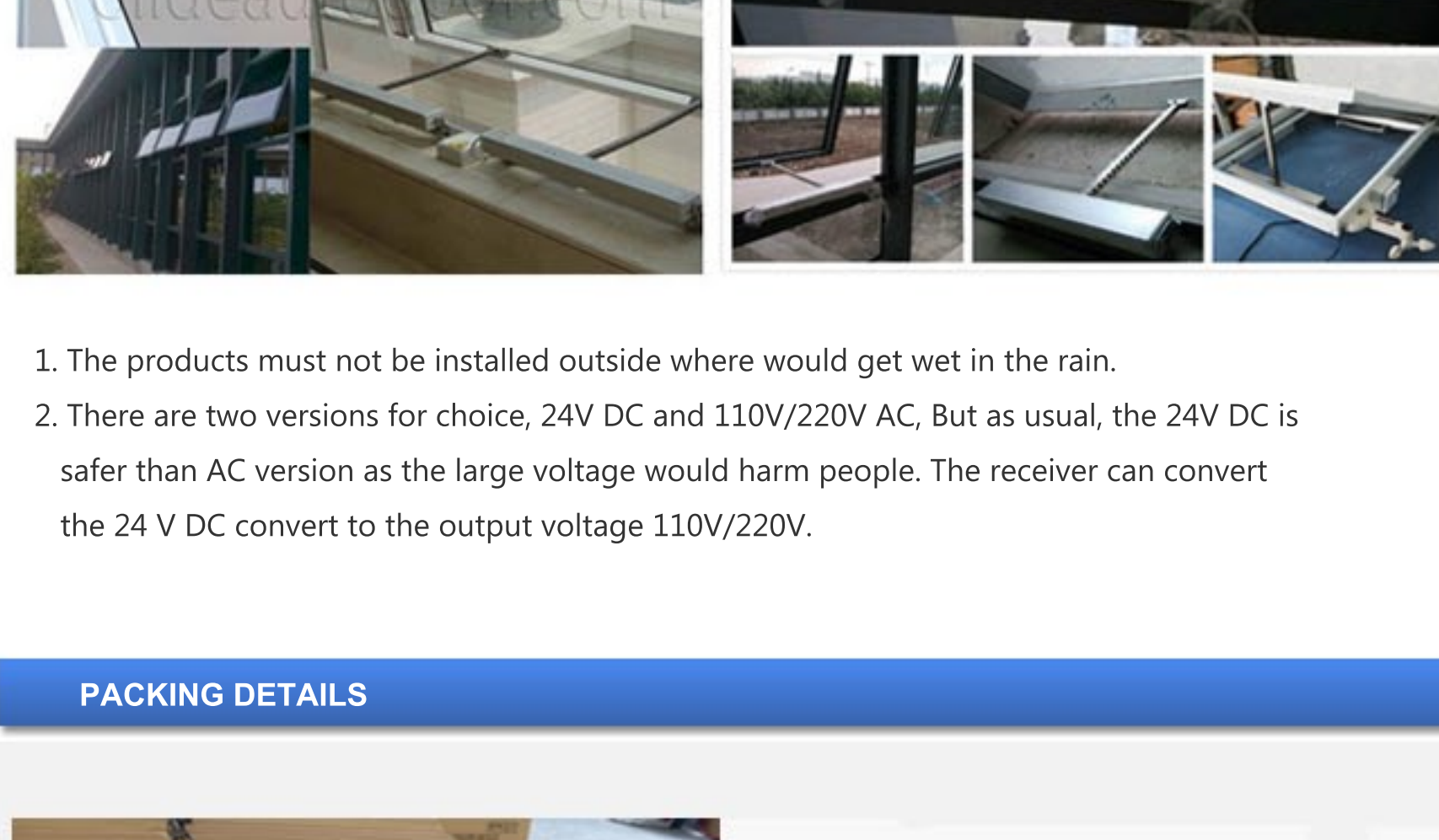
HOW TO CONNECT THE WIRES OF THE WINDOW OPENER



HOW TO CONNECT THE WIRES OF CENTRALIZED CONTROLLER FOR FIRE



INSTALLATION PICTURE FROM CUSTOMERS PROJECT



1. The products must not be installed outside where would get wet in the rain.
2. There are two versions for choice, 24V DC and 110V/220V AC, But as usual, the 24V DC is safer than AC version as the large voltage would harm people. The receiver can convert the 24 V DC convert to the output voltage 110V/220V.

PACKING DETAILS



WHY CHOOSE US?

- Best After Sales Service**: 18 months warranty, spare parts of the product can be free replaced during warranty period if any problems belong to us.
- 20 Years Experience**: 20 years always specialized in design, production, sales and installation of automatic door systems.
- Strong Technical Team**: Adopting Up-to-date Techniques and Technology. Highly Trained Door Experts are the backbone of the company.
- High Delivery Speed**: 3-5 working days shipping out for small order.
- Excellent Quality**: CE ,ISO certification. Excellent DC brushless motor , high wear-resistant qualities wheels and reasonable structure design makes it more stable, quiet, longer life.

CONTACT US

Skype: Chinentech
Tel: +86 571 87641908
Email: jason@olideautodoor.com
MSN: Chinentech@hotmail.com