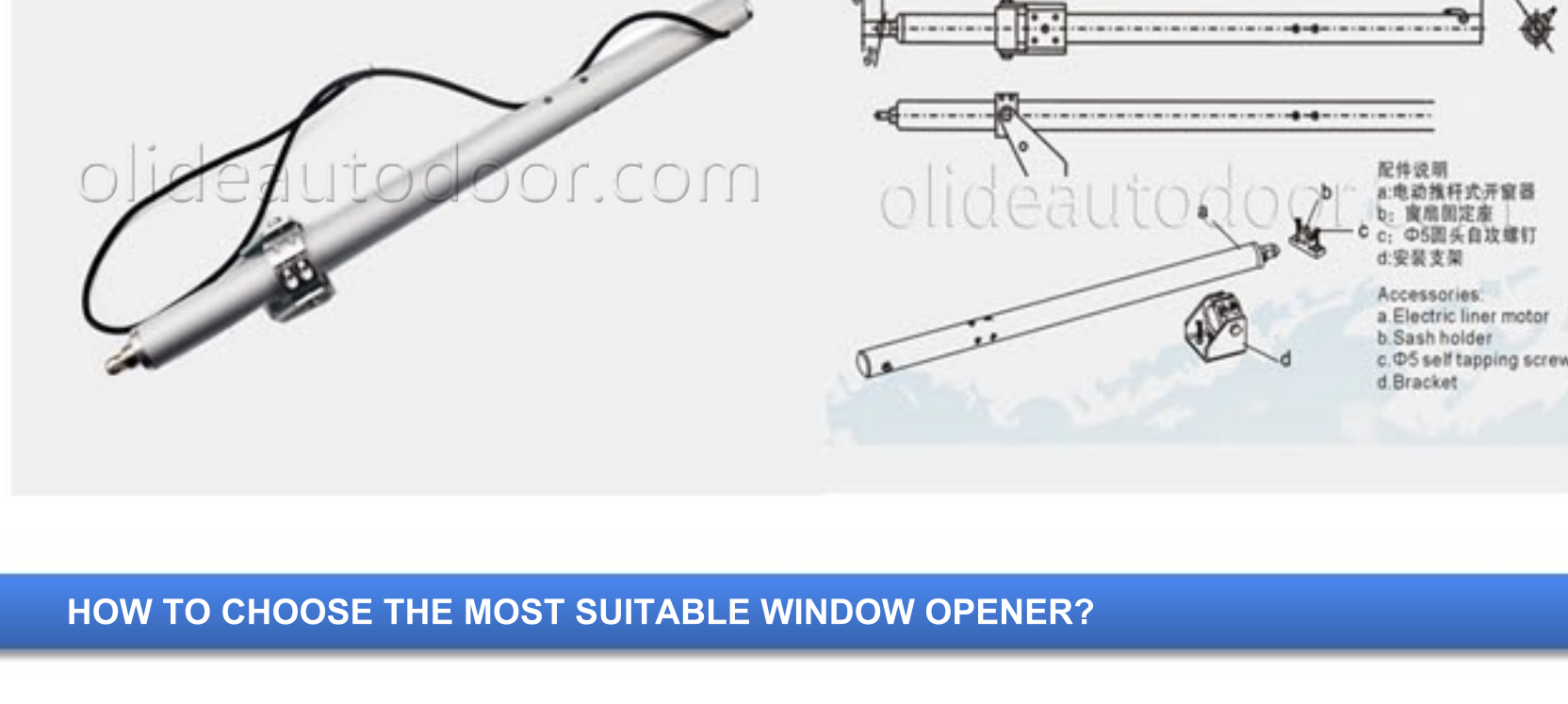


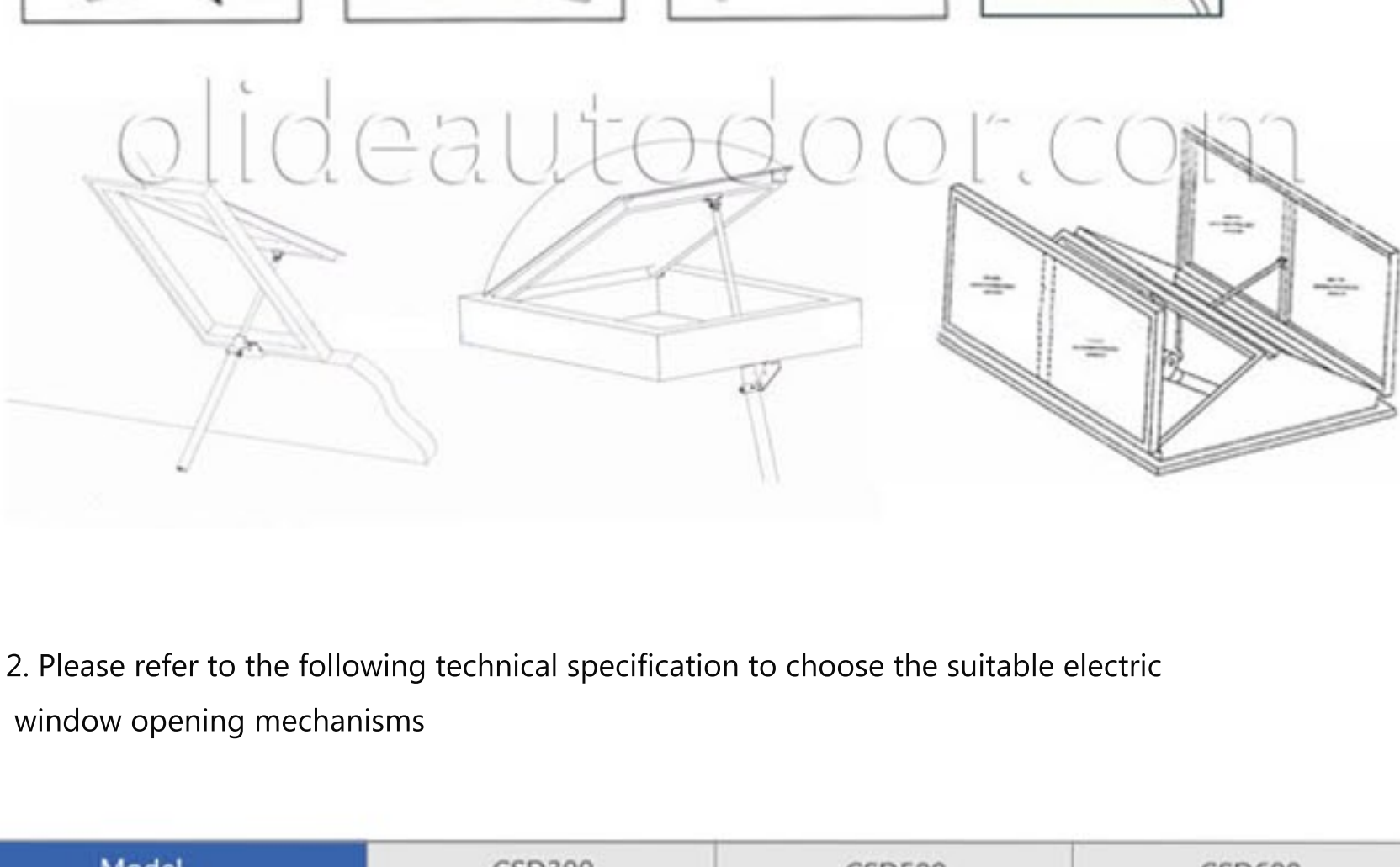
AUTOMATIC WINDOW OPENER CSD600

One complete set window opener include the accessory:window opener housing, chain, motor, bracket, screws, the details included in the following picture.



HOW TO CHOOSE THE MOST SUITABLE WINDOW OPENER?

1. Our electric window opening mechanisms is suitable for the below window types.



2. Please refer to the following technical specification to choose the suitable electric window opening mechanisms

Model	CSD300	CSD500	CSD600
The push and pull force	400N	600N	800N
Max load bearing	40kg	60kg	80kg
Travel distance	300mm	500mm	300mm/ 500mm
Speed	8mm / S	7mm / S	7mm / S
Size	455(L)X52(W)X40(H)mm	667(L)X52(W)X40(H)mm	574(L)X35(W)X20(H)mm
Operating power	24V DC		
Degree of protection	42 IP		
Operating ambient Temp.	-10° - +70°		
Material	Housing is made of aluminum alloy, also stainless steel can be customized, chain is made of stainless steel.		

PRODUCT FEATURES

1. Rebuilt overloading protection system, in case the sudden high electric current make he motor burning
2. Max travel distance 800mm(can be customized) is very suitable for all kinds of windows, especially the big skylight and smoke vent.
3. Stainless steel rod is high anti-corrosion, even in the high temperature and moisture environment, the window opener can last long service life.
4. Travel distance and color can be customized, we can meet different demands from kinds of customers.



Fine and easy installed hardware fitting

High anti-acid aluminium alloy housing



Long travel distance

Retractable screw window opener

5. More than thousands of pushing and pulling test, HTHP test, salt spray test, etc. ensure the thirty thousand smoothly push and pull to the opener.

6. Centralized controller for fire, Vent centralized controller, Central controller for wind&rain. Remote centralized controller for window open&close in the whole building can all be customized. Just one press, the whole building windows can be controlled.



OPTIONAL ACCESSORY



Receiver-\$8

Remote Control-\$12

Smoke Detector-\$25

Rain&Wind Detector-\$200

A. Receiver

1. The window opener can be closed or open by the receiver.
2. It can convert the 24 V DC to the output voltage 110V or 220V, otherwise the window opener will be burnt. As usual, one window opener need one receiver.
3. It can receive the signal sent from the remote control.

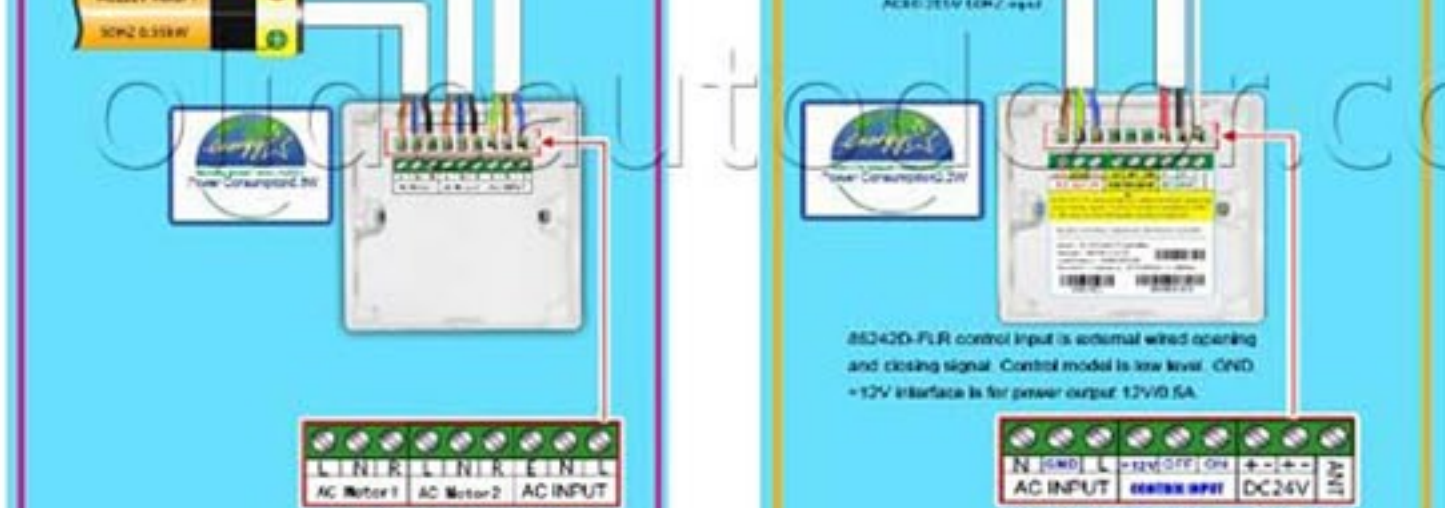
B. Remote control

1. The remote control is wireless, one remote control can control hundreds of windows at the same time if you want them open and close at the same time.
2. Just one press, the window will open or close automatically, it make the house smarter.

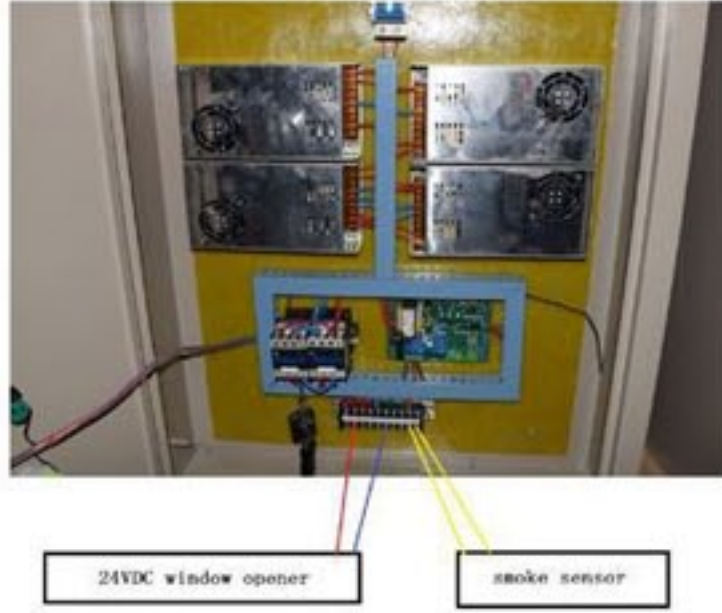
C. The smoke, wind and rain detecting system.

The window opener can be equipped with the optional accessory smoke, wind and rain detecting system. When detect the smoke, wind or rain, the window would closed by itself.

HOW TO CONNECT THE WIRES OF THE WINDOW OPENER



HOW TO CONNECT THE WIRES OF CENTRALIZED CONTROLLER FOR FIRE



Control Box Diagram Of Automatic Window Opener

1	2	3	4	5	6	7	8	9	10
+	+	+	+	-	+	+	+	+	+
									Passive Fire Protection

Connect With Positive Electrode Of Window Opener Connect With Negative Electrode Of Window Opener Signal

Model: CSD-DC24
 Input Voltage: AC220V
 Output Voltage: DC24V
 Electric Current: 33A

Chinentech Industrial Limited

INSTALLATION PICTURE FROM CUSTOMER PROJECT



Installation Tips:

1. The products must not be installed outside where would get wet in the rain.
2. There are two versions for choice, 24V DC and 110V/220V AC, But as usual, the 24V DC is safer than AC version as the large voltage would harm people.
3. The receiver can convert the 24 V DC convert to the output voltage 110V/220V.

WHY CHOOSE US?

- Best After Sales Service**
18 months warranty, spare parts of the product can be free replaced during warranty period if any problems belong to us.
- 20 Years Experience**
20 years always specialized in design, production, sales and installation of automatic door systems.
- Strong Technical Team**
Adopting Up-to-date Techniques and Technology. Highly Trained Door Experts are the backbone of the company.
- High Delivery Speed**
3-5 working days shipping out for small order.
- Excellent Quality**
CE, ISO certification. Excellent DC brushless motor, high wear-resistant qualities wheels and reasonable structure design makes it more stable, quiet, longer life.

CONTACT US

Skype: Chinentech
 Tel: +86 571 87641908
 Email: jason@olideautodoor.com
 MSN: Chinentech@hotmail.com

