

AUTOMATIC HOSPITAL DOOR



FEATURES AND ADVANTAGES OF HOSPITAL DOOR BODY

1. It adopts various forms of door edge wrapping, is equipped with high-strength durable seal strips, and satisfies with purification requirements.
2. The operator track rail of on-wall type is directly mounted onto the wall, easy and fast for installation.
3. It adopts high-quality hardware, and is beautiful, delicate, practical and reliable.
4. Unique design of handles to reduce manual opening force when power off.
5. Operating quietly and fast, the sound insulation effect is good.
6. Rubber lining sealing technology combined with groove on the guide rail enables the door completely sealed when the door closed.



Rubber lining sealing technology combined with groove on the guide rail enables the door completely sealed when door closed.

Unique design of handles to reduce manual opening force when power off.



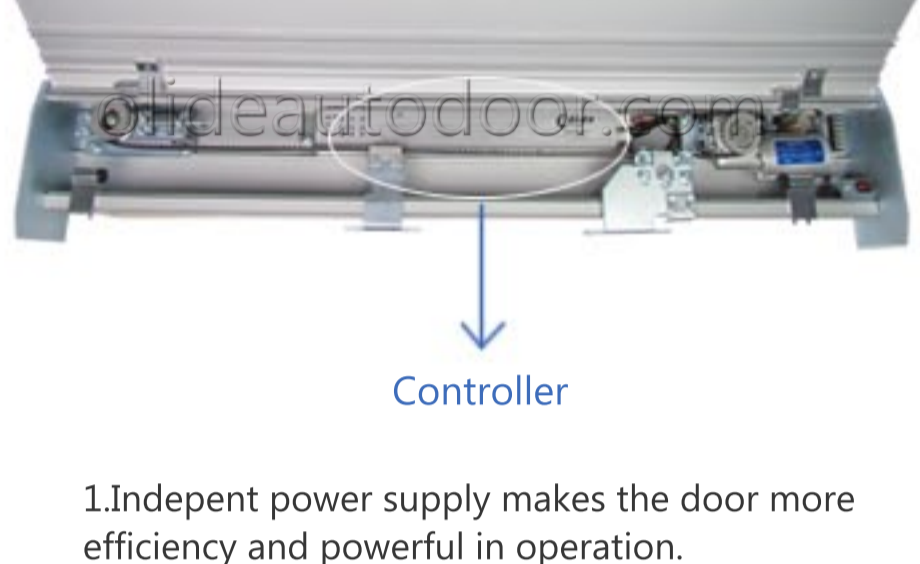
Choose color on the door body surface.

Xray door lead lined inside

TECHNICAL SPECIFICATION

Door sliding modes	Single-opening	Double-opening
Door leaf weight	≤1*195 kg	≤2*185 kg
Door leaf width	600-1200mm	500-1150mm
Opening speed	150-500mm/s(Adjustable)	150-450mm/s(Adjustable)
Closing speed	100-450mm/s(Adjustable)	150-430mm/s(Adjustable)
Motor	24V 100W brushless DC motor	
Opening time	0-9s(Adjustable)	
Automatic function	Automatically reverse upon obstruction	
Voltage	AC220V 50Hz-60Hz	
Operating ambient Temp.	-20°C~60°C	

FEATURES AND ADVANTAGES OF HOSPITAL DOOR OPENER



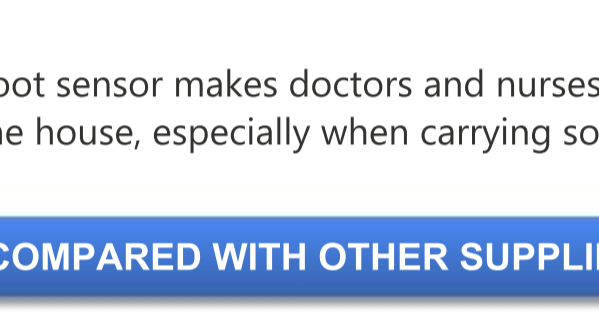
High dynamic acceleration, low moment of inertia extremely high short time overload capacity of the motor

Controller

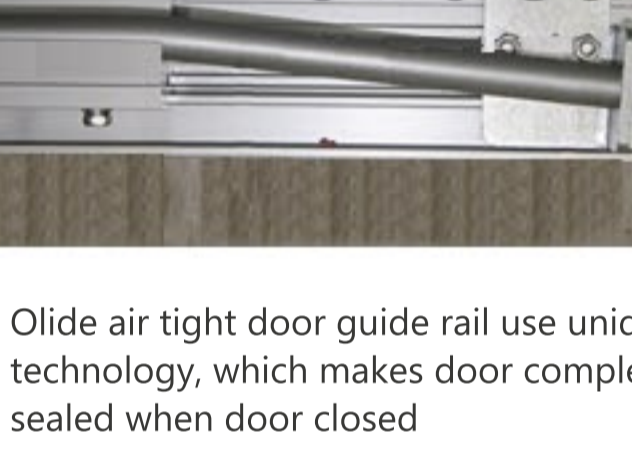
1. Independent power supply makes the door more efficiency and powerful in operation.

2. Intelligent controller makes the door more stable and reliable in operation.

3. Displaying adjustment with digital parameters, more accurate



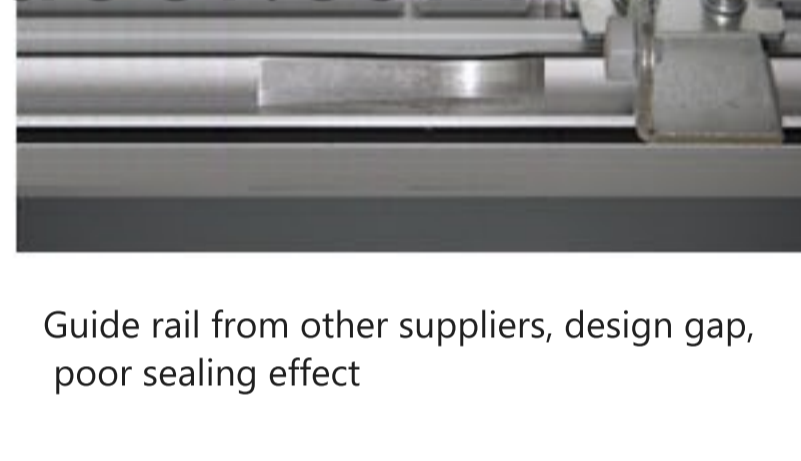
Foot sensor makes doctors and nurses more convenient enter the house, especially when carrying something in their hands



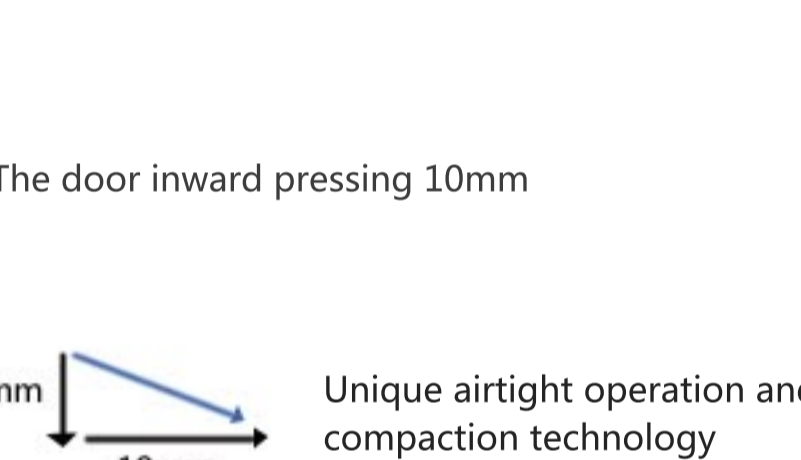
Foot sensor makes doctors and nurses more convenient enter the house, especially when carrying something in their hands



Unique way of sinking, door sinks 5mm

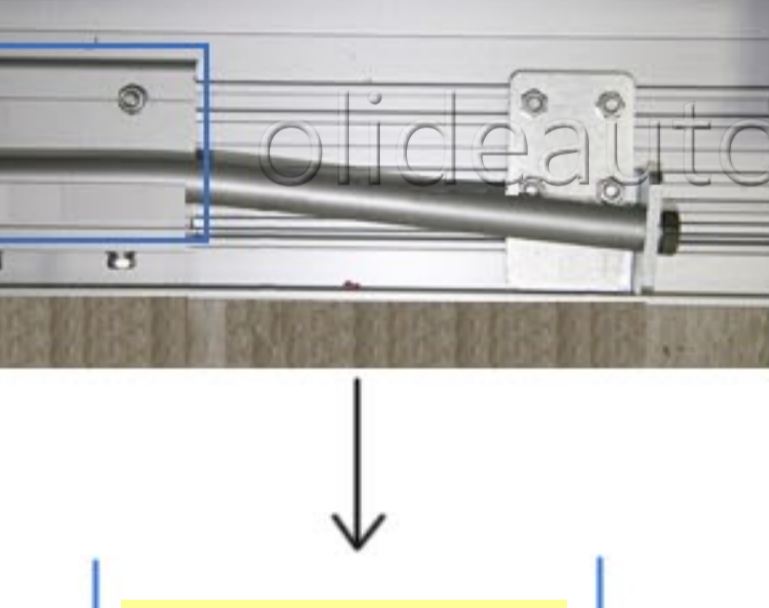


Guide rail from other suppliers, design gap, poor sealing effect

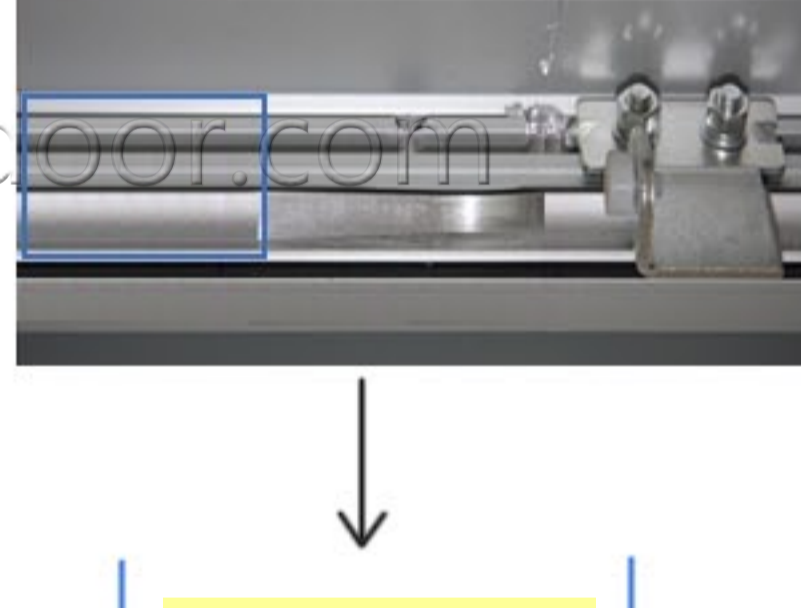


The door inward pressing 10mm

5mm
10mm
Unique airtight operation and compaction technology

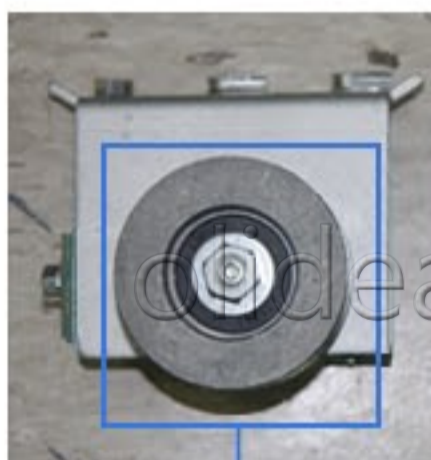


Olide airtight door sliding slots



Sliding slots from other suppliers

Olide airtight door sliding slots use convex structure, which makes altering trajectory more flexible, also can be dust proof.



Olide tensioning wheel material is galvanized steel, reliable and long-lasting



tensioning wheel from other supplier material is plastic, fragile and lower use life.

Know more about our automatic hospital doors, please visit our videos on Youtube:

<https://www.youtube.com/watch?v=0r-BpDjJokk>

<https://www.youtube.com/watch?v=cKi3c79qOk>

https://www.youtube.com/watch?v=2Z15J-S_8Vs

PROJECT FROM OUR CUSTOMERS



PACKAGING AND SHIPPING

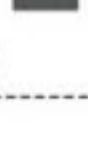


WHY CHOOSE US?



Best After Sales Service

18 months warranty, spare parts of the product can be free replaced during warranty period if any problems belong to us.



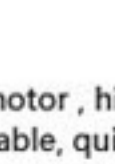
20 Years Experience

20 years always specialized in design, production, sales and installation of automatic door systems.



Strong Technical Team

Adopting Up-to-date Techniques and Technology. Highly Trained Door Experts are the backbone of the company.



High Delivery Speed

3-5 working days shipping out for small order.



Excellent Quality

CE, ISO certification. Excellent DC brushless motor, high wear-resistant qualities wheels and reasonable structure design makes it more stable, quiet, longer life.

CONTACT US

Skype: Chinentech

Tel: +86 571 87641908

Email: jason@olideautodoor.com

MSN: Chinentech@hotmail.com

